

# ELEMENTRA® 19

## Drum filling station

Filling with calibrated accuracy, reliably executed. The pre-configured and pre-assembled compact filling station ELEMENTRA® 19 with drum roller conveyor for drum in-feed and out-feed eases the filling of drums. The stainless steel load cells with 255 product data records are the centerpiece of the filling station, ensuring filling with calibrated accuracy.

### BENEFITS

- Very cost-effective solution
- Short delivery time
- Quick installation and simple operation
- Easy maintenance
- Components in stainless steel and acid protection design available
- Variety of essential accessories

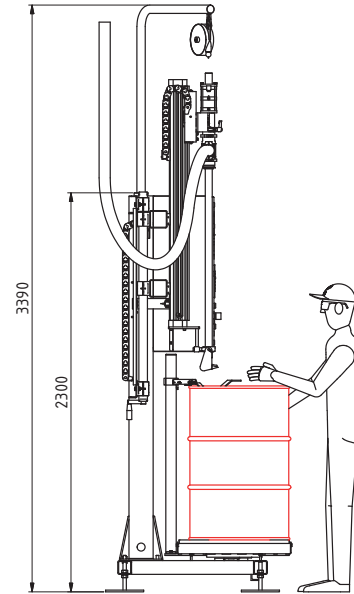
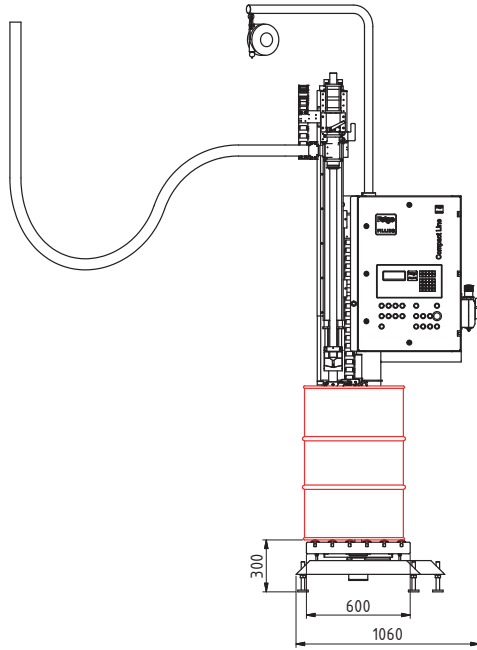


### TECHNICAL DATA

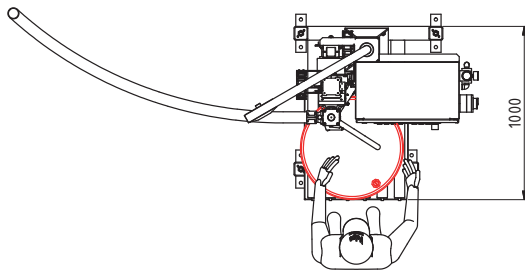
Version without base height adjustment	19.1-0-00	19.2-0-00	19.3-0-00
Version with base height adjustment	19.1-B-00	19.2-B-00	19.3-B-00
Filling mode	Below-surface	Above-surface	Below-bunghole
Air consumption [NI/cycle]	40	2	30

# ELEMENTRA<sup>®</sup> 19

Drum filling station



Configuration example



## TECHNICAL DATA

ATEX design	II 2G c IIB T3
Electrical design	230V/N/PE, 50-60Hz, 0.5kVA
Weighing range	30 kg to 300 kg, increment 0.1 kg
External control	2 dry contacts or 4-20 mA signal for controlling an on-site pump or a pilot valve for coarse/fine fill
Base height range of adjustment	500 mm continuously adjustable via crank handle
Required air pressure	5 bars dynamic
Product connection	Feige square flange
Weight	approx. 300-400 kg, depending on the design
Ambient temperature	5-35°C
Product temperature	0-130°C
Nominal output	50-60 drums/h